



Figure. 1: Elstein IPT series

Elstein IPT radiators are ceramic infrared dark radiators with E27 screw caps.

The standardised E27 thread allows easy and safe installation. The radiators can be screwed in like bulbs into porcelain or metal sockets with porcelain insert.

Due to their simple connection, IPT infrared radiators are suitable both for individual operation and for configuring groups of radiators.

Heaters of the IPT series are mainly used for two applications. In sulphur evaporators IPT/75 makes the sulphur liquid and evaporating, so that fighting against vermin is done in an environment-friendly way.

A further application is using the heaters of the IPT series in terrariums to generate comfortable and close-to-nature heat radiation for reptiles and insects.

Elstein IPT screw radiators are available in three designs and power ranges from 60 W to 500 W.

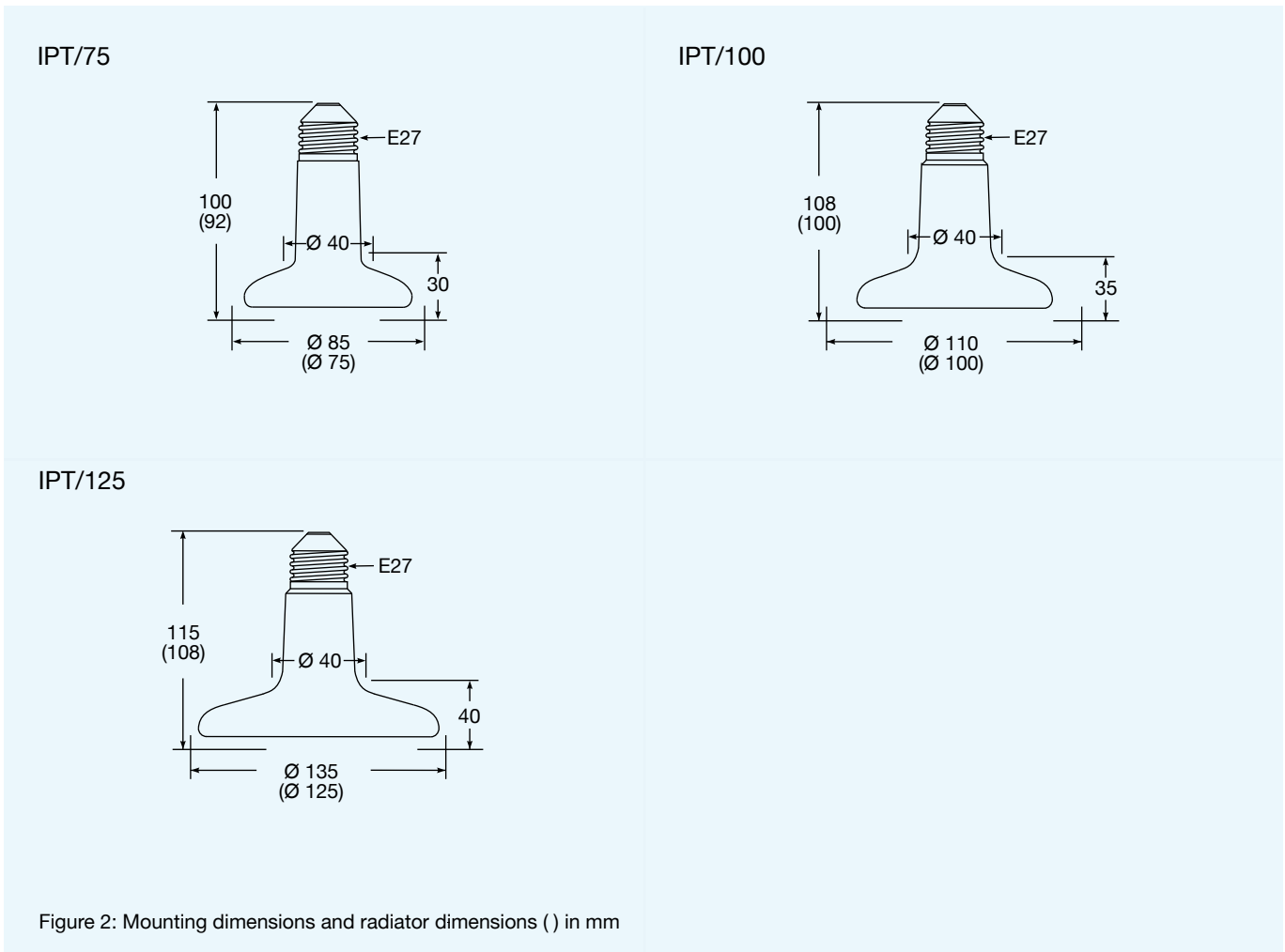
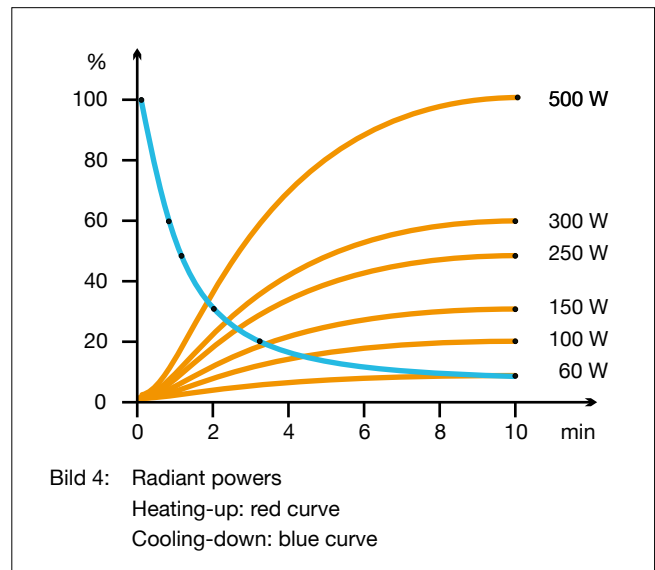
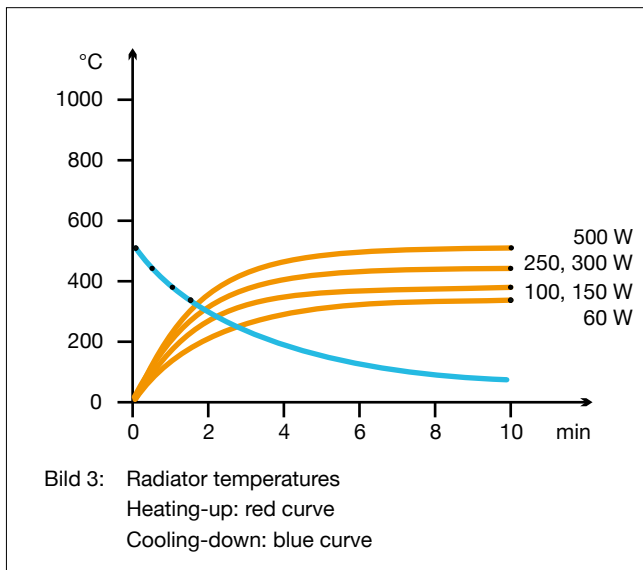


Figure 2: Mounting dimensions and radiator dimensions () in mm



Type, weight, wattage	IPT/75	85 g	60	100	-	-	-	-	W
	IPT/100	150 g	-	-	150	250	-	-	W
	IPT/125	210 g	-	-	-	-	300	500	W
Surface rating			8,6	14,4	13,2	22,0	18,1	30,3	kW/m ²
Typical operating temperature			290	380	370	460	430	510	°C
Maximum permissible temperature			530	530	530	530	530	530	°C
Wavelength range			2 - 10						µm

Standard design Operating voltage 230 V Ceramic hollow casting White glaze E27 Edison screw cap	Thermocouple radiators Not available. For means of controlling output see below.	Variants Special wattages Special voltages
--	---	---

The power can be adjusted using proprietary power controllers or dimmers.

Porcelain or metal sockets with porcelain inserts are to be used both for electrical and mechanical connection of Elstein IPT radiators. The sockets must not contain any plastic components.

The national safety regulations must be complied with for the respective application, for example, the IEC or EN standard 60519-1, Safety in electrical heating installations.

Our instructions for mounting, operation and safety must be observed.